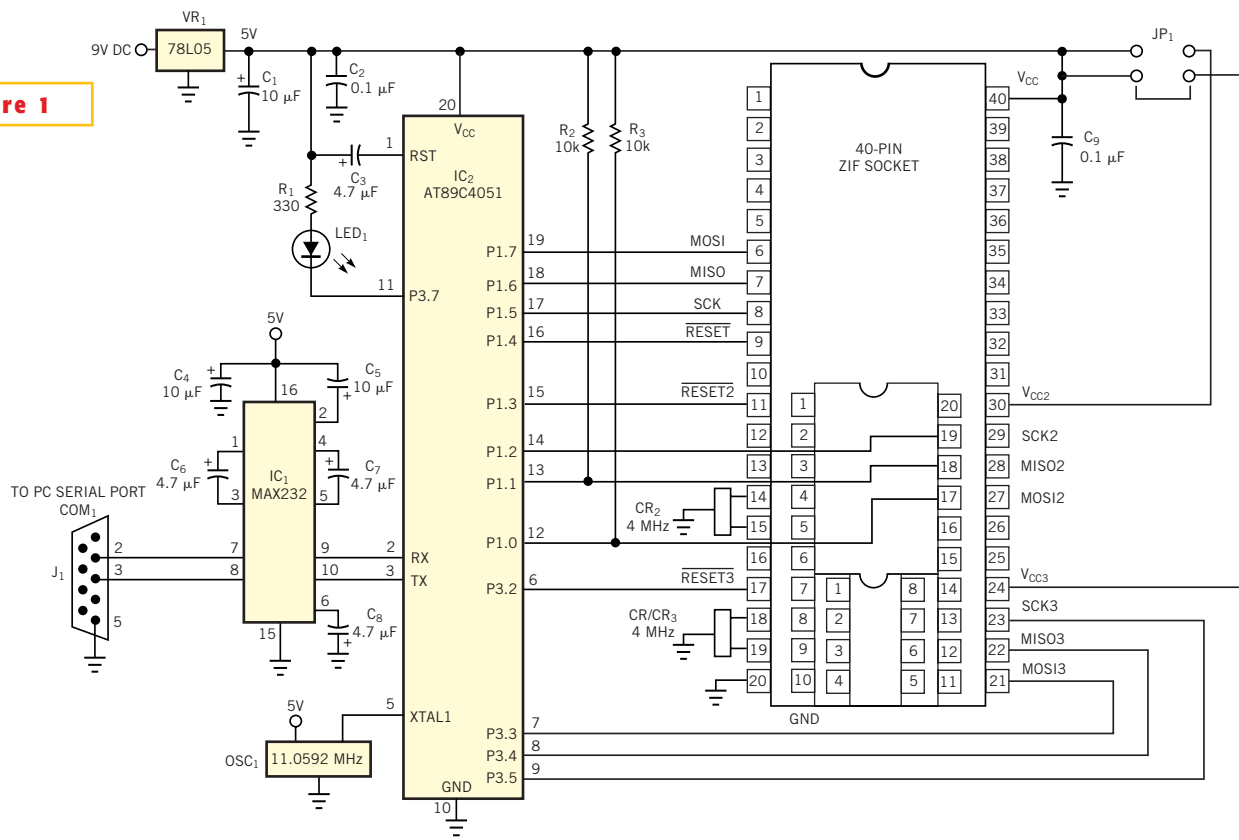


**Figure 1**



Exploit the power of Atmel's AVR  $\mu$ Cs, using this easy-to-build programmer.