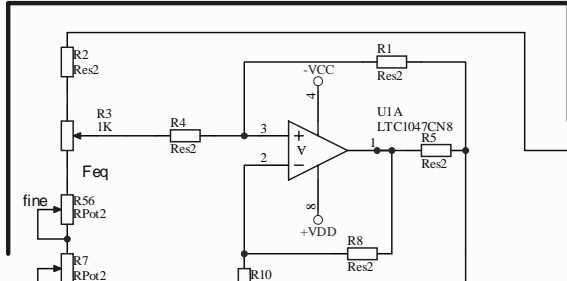
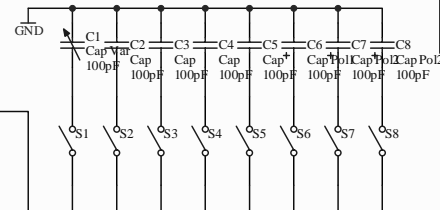


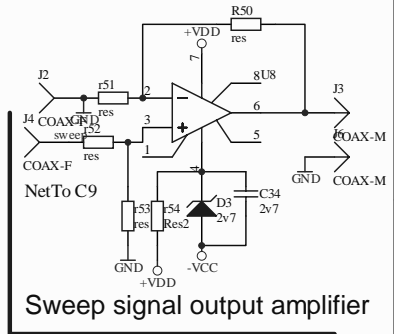
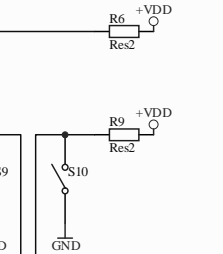
### Frequency adjusting



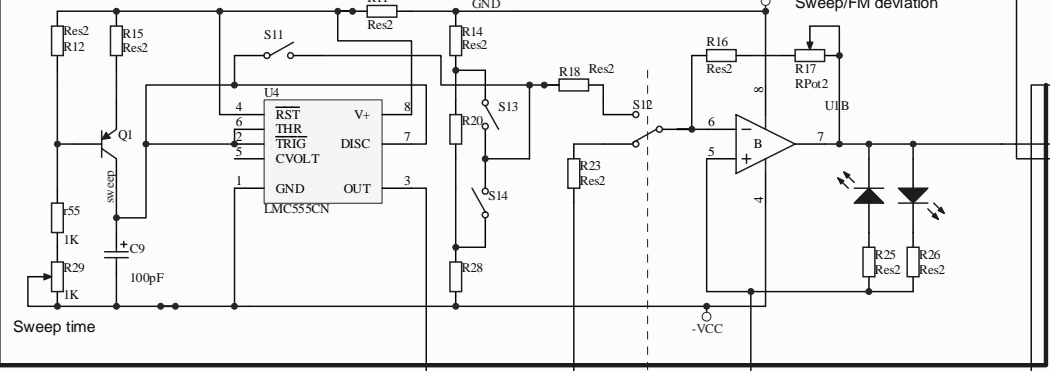
### Range select



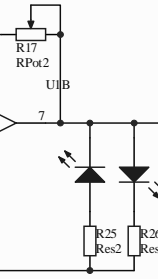
### Waveform select



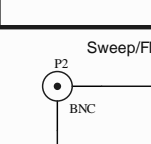
### Linear ramp generator



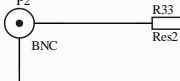
### Sweep/FM deviation



### Sweep time



### Sweep/FM in



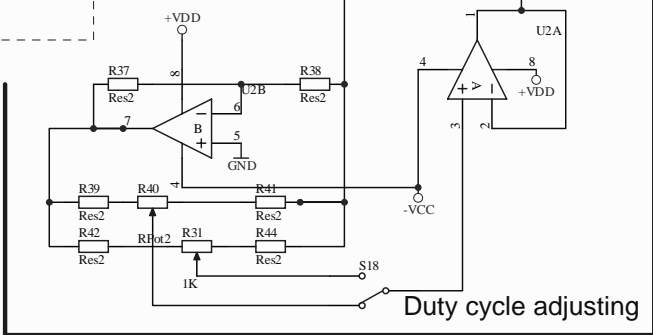
### Sync



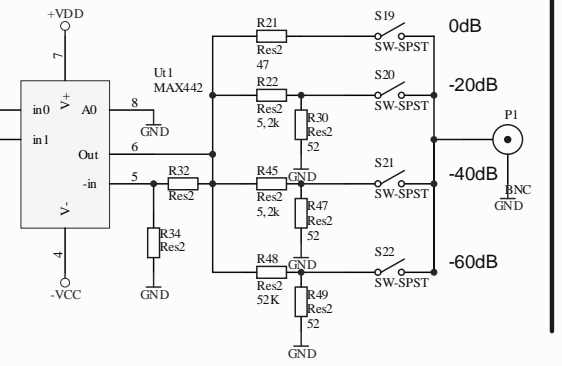
### Sweep int/ext(off)



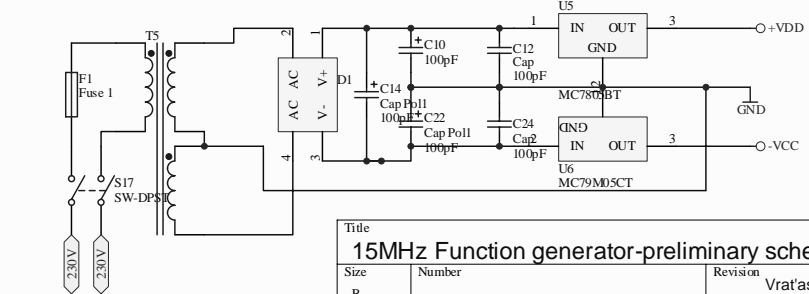
### Duty cycle adjusting



### Output amplifier



### Power supply



Title		
15MHz Function generator-preliminary scheme		
Size	Number	Revision
B		Vrat'as
Date:	20/03/2004	Sheet of
File:	D:\DOKUMENTY\Sheet1.SchDoc	Drawn By:

15MHz FUNCTION  
GENERATOR

Uratislav MICHAL  
10/2003

